

DECLARATION OF CONFORMITY

Tomy declare that the Walkabout Classic Advance:

1. Is in compliance with the essential requirements and other relevant provisions of European Directive 1999/5/EC.
2. Has been tested to all essential radio test suites.
3. Is in conformity with all applicable essential requirements of all applicable EC Directives.
List of reference standards: EN301489-1, EN301489-3, EN61558-2-6, EN60065, EN50366, EN50371, EN300220-1, EN300220-3, EN55014-1, EN55014-2, EN61000-3-2, EN61000-3-3.

Permitted countries of use: UK and Eire only

This declaration is issued under the sole responsibility of Tomy UK Ltd., Totton, Hants, SO40 3SA. ENGLAND.

Head of Product Integrity

TECHNICAL SPECIFICATION

Power Supply: Mains adaptor rating: PRI: 230V ~ 50Hz SEC: 7.5V = 200mA 2VA
Batteries: Parent Unit – 3 x AA (LR6) 1.5v. Baby Unit – 4 x AA (LR6) 1.5v
Operating Range: 300m* in optimum 'open field' conditions.
Operating Temperature: 0 - 50°C
Frequencies – 49.820 – 49.980MHz
Transmission Power: <10mW.

CUSTOMER CARE INFORMATION

Before you call, please read this instruction manual carefully.

When calling the Tomy Careline, please quote the model number of your Tomy Walkabout Classic Advance which is 1243 and the date of purchase: ___ / ___ / ___

Contact us by calling 023 80662600 or by writing to us at TOMY Careline, PO BOX 20, Totton, Hants, SO40 3YF or by clicking online at www.tomy.co.uk. Telephone lines open Monday to Friday 9am-5pm, some calls may be monitored as part of our ongoing commitment to customer excellence.

If your monitor requires servicing, please send it to the Tomy Monitor Service Centre which offers a 48 hour express turnaround service. Tomy Monitor Service Centre, Units 6/9 South Hampshire Ind. Park, Brunel Road, Totton, Hampshire, SO40 3SA.

Please retain your proof of purchase to validate your guarantee. Full details of your guarantee can be obtained by contacting the Tomy Careline (details above). Please note your monitor is guaranteed against manufacturing defects for two years from the date of purchase. This does not affect your statutory rights.



Tomy UK Ltd., Totton, Hants. SO40 3SA, England.

Please retain for future reference.

* in optimum 'open field' conditions.

TUK
02/05 Rev.2
Ref No. 1243
Made in China

TOMY®

Walkabout Classic ADVANCE

THE UK'S BEST SELLING PORTABLE MONITOR



INSTRUCTIONS FOR USE

We are delighted that you have chosen the Tomy Walkabout Classic Advance to monitor your child. It is a high performance monitor with advanced unique technology specifically designed for Tomy Monitors. This monitor combines many useful features including:



- 2 way transmission of sound allowing you to talk to your baby as well as listen.
- 4 Channel Selection for clear reception and reduced interference.
- A secure link and privacy feature which prevents others from listening in.
- Sound-Activated transmission – An option to set your monitor to Sound-Activated transmission only (to conserve battery power).
- Fully portable Parent & Baby Units.
- Tomy's original pioneering Moving Light Display - a great addition for monitoring with or without sound.
- A reassuring soft glow Night Light on the Baby Unit which can be remotely operated from the Parent Unit.



PLEASE READ INSTRUCTIONS CAREFULLY BEFORE USE AND RETAIN FOR FUTURE REFERENCE.

BABY UNIT

- B1 POWER/LIGHT Button
- B2 Green Light Power Indicator
- B3 Soft Glow Night Light
- B4 Hanging Slot
- B5 Power Jack Socket
- B6 Battery Compartment
- B7 Sound-Activation Switch



Fig 2(a)

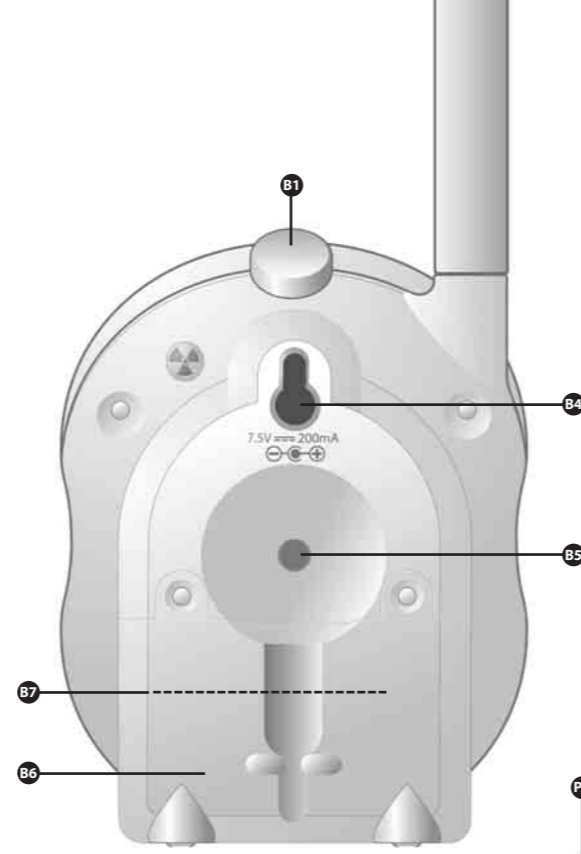


Fig 2(b)

BABY UNIT

- B1 POWER/LIGHT Button
- B4 Hanging Slot
- B5 Power Jack Socket
- B6 Battery Compartment
- B7 Sound-Activation Switch

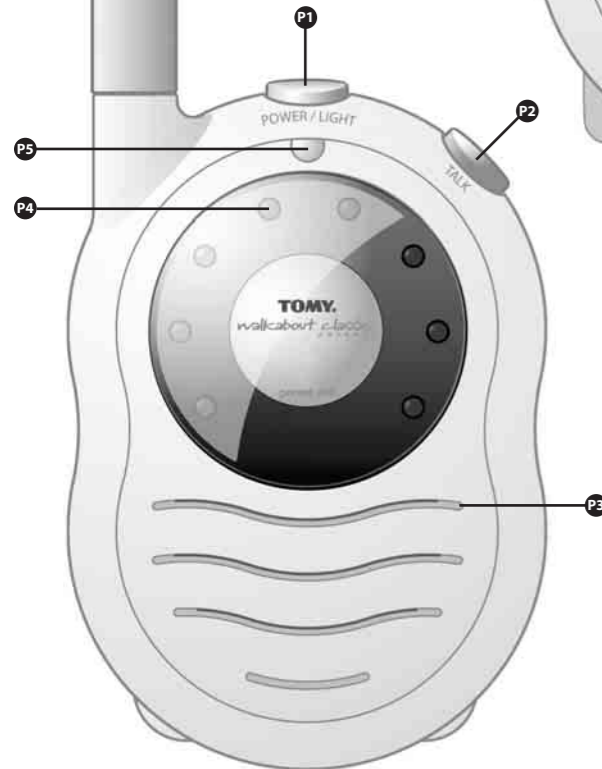


Fig 1(a)

PARENT UNIT

- P1 POWER/LIGHT Button
- P2 TALK-BACK Button
- P3 TALK-BACK Microphone
- P4 Moving Light Display
- P5 Green Light Power Indicator
- P6 CHANNEL SELECT Button
- P7 Volume Control
- P8 Power Jack Socket
- P9 Battery Compartment
- P10 Belt Clip

PARENT UNIT

- P1 POWER/LIGHT Button
- P2 TALK-BACK Button
- P6 CHANNEL SELECT Button
- P7 Volume Control
- P8 Power Jack Socket
- P9 Battery Compartment
- P10 Belt Clip

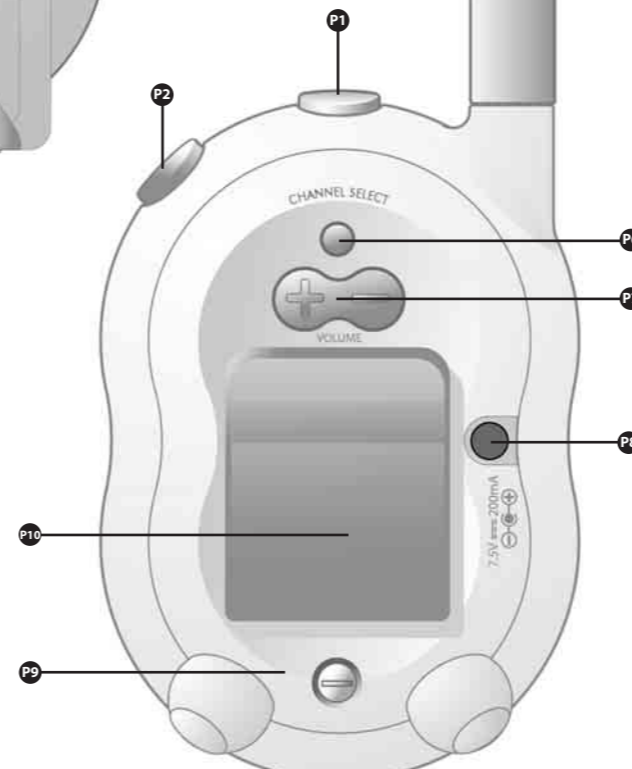


Fig 1(b)

INDEX

BEFORE YOU START 6

- Safety information
- Battery safety
- Caring for your monitor

QUICK START 7

FEATURES AND FUNCTIONS 8

- Connection Status
- Communication Range
- Channel Selection
- Portable Use
- Low Battery Warning
- Moving Light Display
- Volume Control
- Sound-Activated Transmission
- Night Light
- Talking Back to Your Baby
- Belt Clip
- Wall Mounting

FREQUENTLY ASKED QUESTIONS 11

PROBLEM SOLVING 12

DECLARATION OF CONFORMITY 14

TECHNICAL SPECIFICATION 14

CUSTOMER CARE INFORMATION 14

BEFORE YOU START

SAFETY INFORMATION

The Tomy Walkabout Classic Advance is designed to help you monitor your child and is not a substitute for adult supervision.

Always keep electrically operated items and their cables out of reach of babies and younger children.

Under no circumstances should the adaptors supplied with this monitor be used with any other equipment.

No other adaptors than those supplied should be used with your monitor.

Be careful not to position the adaptor where a child is likely to use it as a step. Putting weight on the adaptor whilst it is plugged in could damage the unit or cause injury to your child.

Under no circumstances should you place any part of your monitor in or on a cot.

Ensure all wiring is positioned safely so that children cannot become entangled and no trip hazard is created.

The chargers may become hot during use – take care when handling, allow heat to disperse. DO NOT COVER. Disconnect charger if the product will not be used for several days. To prevent a shock hazard, please disconnect from power supply before cleaning.

Do not attempt to dismantle any part of this product.

This product is not a toy.

BATTERY SAFETY

Take special care to ensure batteries are inserted correctly, observing (+) and (-) marks on battery and product. Removal and replacement of batteries should be carried out by an adult or under adult supervision. Do not attempt to recharge non-rechargeable batteries.

Rechargeable batteries must be removed from the monitor before recharging. Removal and recharging of rechargeable batteries should be carried out by an adult or under adult supervision. Do not short circuit the contacts in the battery compartment or the battery terminals.

Remove exhausted batteries from product. Do not mix old (used) and new batteries or batteries of different types, eg. rechargeable and alkaline or batteries of different makes/brands. Dispose of exhausted batteries safely, and never dispose of batteries in a fire. Remove batteries from product after use or if storing for long periods. Only use batteries of the same or equivalent type to those recommended.

CARING FOR YOUR MONITOR

Do not immerse any parts in liquids.

Do not place in direct sunlight.

Periodically examine product for signs of damage to electrical parts and do not use until damage has been properly examined.

Always remove batteries from both units if using the mains adaptors for long periods of time.

QUICK START

Please refer to the fold out pages at the front of this booklet for detailed product illustrations; you will find it useful to refer to these whilst reading this booklet.

- Plug in both Units.
- Place the Baby Unit within 1 metre (3 feet) of your baby ensuring all parts are kept out of reach. Under no circumstances should you place any parts of the monitor in or on a cot.
- Ensure both units are more than 2 metres (6 feet) apart.
- To activate, press the POWER/LIGHT button **B1 P1** on both the Baby Unit and Parent Unit. (IMPORTANT! To establish a quicker connection, activate the Baby Unit before the Parent Unit)
- The (Green Light) Power Indicator at the front of both units **B2 P5** will glow to indicate that both units are active.
- To turn the Units OFF, press & hold the POWER/LIGHT button on both units for two seconds **B1 P1**.

FEATURES AND FUNCTIONS OF YOUR TOMY WALKABOUT CLASSIC ADVANCE

CONNECTION STATUS

The Parent and Baby Unit will automatically try to connect to each other upon switching on.

No Connection

Should your monitor be unable to establish a connection or should the connection break during transmission for a period of more than one minute a continuing beep will sound (through the parent unit) until a connection is re-established. To re-establish a connection move the units back within range and if necessary change to another channel. Should a connection not be made after 5 minutes the Baby Unit will automatically switch off.

COMMUNICATION RANGE

- Your monitor has been carefully designed to operate at its best within a generous 300 metre range* (suitable for the majority of household environments).
- Moving the units within 2 metres of each other will result in the parent unit automatically switching to mute, to avoid any annoying feedback.
- The range and general quality of reception may vary depending on battery power and number of obstructions such as walls, buildings etc.
- For best performance we recommend both Units are operated using the mains adaptors supplied.
- Although this monitor has a range of 300 meters (in optimum conditions) a baby should never be left unattended at a distance which could delay prompt adult attention.

Out of range

As maximum range is reached, the Parent Unit will automatically switch the speaker to mute (to avoid hearing a loud hiss) and the continuous beeping 'loss of connection' alarm will sound after 1 minute of no contact.

CHANNEL SELECTION

You can select one of the four channels to give you the best possible sound quality by pressing the 'CHANNEL SELECT' Button on the Parent Unit **P6**, this will synchronise both units to the next channel.

SECURE & PRIVATE TRANSMISSION

Unique transmission and scrambled audio between the Parent and Baby Units ensures total privacy.

PORTABLE USE

- The Baby Unit requires 4 x AA (LR6) 1.5v batteries, the Parent Unit requires 3 X AA (LR6) 1.5v batteries. Please note; batteries are not included.
- To insert batteries into either unit unscrew the battery compartment cover **B6** **P9** and insert the required batteries ensuring the '+' & '-' are positioned correctly (see images opposite). Replace the compartment cover; you are now ready for portable use.
- We recommend the use of disposable alkaline batteries. Rechargeable batteries will give inferior performance.
- For best performance we recommend both units are operated using the mains adaptors supplied.
- Always remove batteries from both Units if using the mains adaptors for long periods of time.

LOW BATTERY WARNING

When the batteries begin to run low in either Unit, the Parent Unit will give an audible and visual alarm as follows:

- 2 Beeps every 40 seconds: Baby Unit low battery (through the Parent Unit).
- 3 Beeps every 40 seconds: Parent Unit low battery.

Green Power Light Indicators on both Units **B2** **P5** will change colour from green to red and flash in sequence with the audio alarms.

NOTE! Audible beeps are only emitted through the Parent Unit to avoid disturbing your baby.

MOVING LIGHT DISPLAY

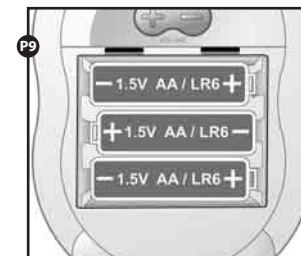
- Tomy's unique moving light display located on your Parent Unit **P4** allows you to monitor your baby without sound, ideal for those quiet moments.
- The light display consists of 5 green and 3 red coloured lights, the louder the noise of your baby, the more lights will illuminate.
- The light display is always active whilst your monitor is switched on.

VOLUME CONTROL

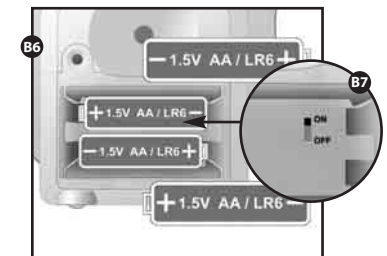
- The listening volume through your Parent Unit can be adjusted from levels 0-9, via the VOLUME +/- buttons **P7**. Each press will adjust the volume by one step.
- The Parent Unit will emit a click every time the volume is adjusted.
- Selecting level 0 will mute the sound, allowing you to monitor using the light display.

SOUND ACTIVATED TRANSMISSION

- Your monitor has a Sound-Activated Transmission feature. Once this power saving feature is switched on, the Parent Unit will remain silent (no transmission) until your baby stirs.
- To change between continuous transmission or Sound-Activated Transmission, unscrew the Baby Unit's battery compartment **B6** remove any batteries and move the switch **B7** to your preferred choice. (see image below)



Parent Unit
Battery Compartment



Baby Unit Battery Compartment
and Sound-Activation Switch

NIGHT LIGHT

- The Baby Unit has a reassuring soft glow Night Light **B5**, which can be operated by both the Parent and Baby Units by pressing the POWER/LIGHT button on either unit **B1** **P1**. (Note! Holding the POWER/LIGHT button for more than 2 seconds will turn your monitor off).
- Every time the Night Light is turned ON/OFF via the Parent Unit, an audible click will sound through the Parent Unit.
- If powering the Baby Unit with the use of batteries, the Night Light function will fade out after 5 minutes, otherwise the Night Light will remain illuminated until switched off.

TALKING BACK TO YOUR BABY

- The Talk-Back function allows you to talk to and reassure your baby by transmitting sound from your Parent Unit to the Baby Unit
- Press and hold the TALK button **P2**, and speak clearly into the Parent Unit's microphone **P3**. It is important that the button is held down whilst talking. (Note: Normal monitoring will be temporarily suspended whilst using Talk-Back).

TALK-BACK volume

- To adjust the Talk-Back volume press and hold the TALK button **P2** with VOLUME +/- **P7**. The Talk-Back volume can be adjusted from levels 1-9; each press will adjust the volume by one step. The Parent Unit will emit a click every time the volume is adjusted.

BELT CLIP

- Attach the Parent Unit to a belt or clothing using the clip at the back of the Unit **P10**.

WALL MOUNTING

- The Baby Unit can be mounted on a wall using the hanging slot on the reverse of the unit **B4**. Ensure that the unit is safe and secure out of a child's reach and away from the cot.
- Ensure all wiring is made safe and is fixed so that children cannot become entangled and that no trip hazard is created.



Belt Clip **P10**

FREQUENTLY ASKED QUESTIONS

- Q. Why do I still get interference even after channel selection has been performed?
- A. *This could be due to your local environment. Overhead power cables, local radio transmitters, tall buildings, similar monitoring/radio equipment operating in your local area may create interference.*
- Q. Where can I obtain spare and replacement parts for my Tomy Walkabout Classic Advance?
- A. *Spare and replacement parts are available from our Careline; please refer to the customer care section within these instructions for contact details.*
- Q. My monitor does not appear to have the required range?
- A. *The Walkabout Classic Advance is designed to have a range of approximately 300 metres in optimum (open field) conditions. Environmental obstructions such as overhead power cables, local radio transmitters, tall buildings etc may reduce the range. For best performance we recommend operating your monitor using the mains adaptors supplied. If problem persists please contact the Tomy Careline.*

PROBLEM SOLVING

If a fault occurs, please check the points listed below. If you are unable to rectify the problem yourself, please contact our Careline.

PROBLEM	POSSIBLE CAUSE	SOLUTION	PAGE
No sound coming through your Parent Unit.	<ul style="list-style-type: none"> • Units are less than 2 metres apart. • Batteries incorrectly inserted. • Batteries running low. • Adaptor not connected or connected incorrectly. • Volume on Parent Unit is set too low. • Unit is out of range. 	<ul style="list-style-type: none"> • Move Units further apart. • Check batteries' polarity. • Check and/or replace batteries. • Check adaptor connection. • Increase Parent Unit volume. • Move units closer. 	8
			8
			8
			9
			8
Parent Unit remains silent or only becomes active intermittently.	<ul style="list-style-type: none"> • Units are set to Sound-Activated transmission. 	<ul style="list-style-type: none"> • Refer to Sound-Activated transmission within this instruction leaflet to switch units to continuous transmission. 	9
No electrical function – Parent Unit	<ul style="list-style-type: none"> • Batteries inserted incorrectly. • Batteries running low. • Adaptor not connected or connected incorrectly. 	<ul style="list-style-type: none"> • Check batteries polarity. • Check and/or replace batteries. • Check adaptor connection. 	8
			8
No electrical function – Baby Unit	<ul style="list-style-type: none"> • Batteries are inserted incorrectly. • Batteries have run down. • Adaptor not connected or connected incorrectly. 	<ul style="list-style-type: none"> • Check batteries' polarity. • Check and/or replace batteries. • Check adaptor connection. 	8
			8
Poor reception/interference	<ul style="list-style-type: none"> • Parent and Baby Units are too far apart. • Local interference from other devices. • Batteries are low or dead. 	<ul style="list-style-type: none"> • Move Units closer. • Press 'CHANNEL SELECT' to change to another frequency. • Replace batteries or power via the mains. 	8
			8
			8
High pitched noise	<ul style="list-style-type: none"> • Units are too close together. • Volume too high. 	<ul style="list-style-type: none"> • Move Units apart. • Decrease volume. 	8
			9
Sound-Activated transmission will not activate	<ul style="list-style-type: none"> • Sound-Activated transmission has not been activated despite moving the switch. 	<ul style="list-style-type: none"> • Turn both Parent and Baby Units OFF and back ON to activate. 	9
Night Light does not work Night Light keeps switching OFF Night Light stays constantly ON and will not fade out.	<ul style="list-style-type: none"> • Night Light not switched on. • Batteries have run down. • Powering the Baby Unit via the batteries. • Powering the Baby Unit via the mains. 	<ul style="list-style-type: none"> • Turn Night Light on. • Check and/or replace batteries or power via mains operation. • The Night Light is designed to switch off automatically after 5 minutes to conserve battery life. • The Night Light is designed to remain active until switched off. 	10
			8
			10
			10
Talk-Back not functioning	<ul style="list-style-type: none"> • You are not holding the TALK button throughout Talk-Back. • Talk volume set too low. 	<ul style="list-style-type: none"> • Hold TALK button continuously whilst talking. • Adjust the Talk-Back volume, to a higher level. 	10
			10
Unable to adjust the Talk Back volume	<ul style="list-style-type: none"> • You are not holding the TALK button at the same time as adjusting the volume controls. 	<ul style="list-style-type: none"> • Hold the TALK button and adjust volume. 	10